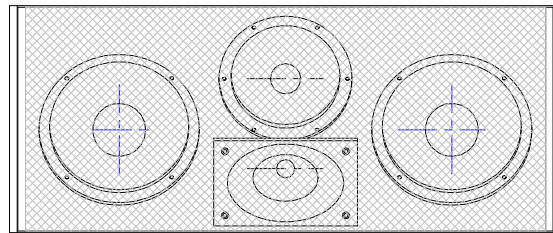
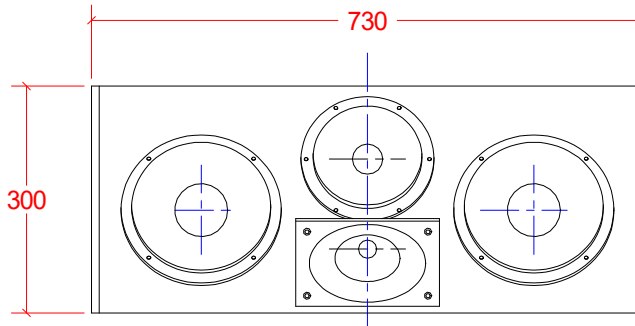
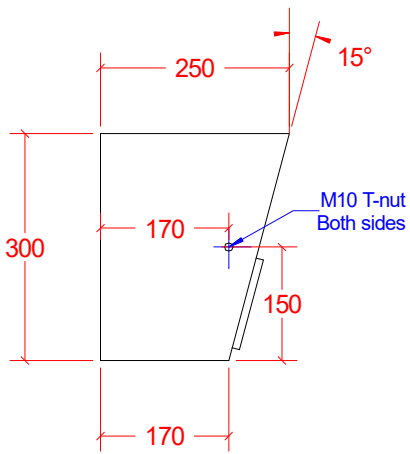
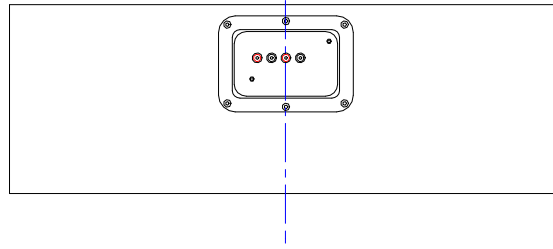


P628



Black structure paint

Weight : 25kg (PREL)

Package (LxWxH): 800x400x300mm



Procella P628 External Dimensions

Anders Uggelberg 10/4 -21

UPD:

P628_Ext_Dim.CAD

Scale 1:10 (PDF/JPG-file not to scale)

