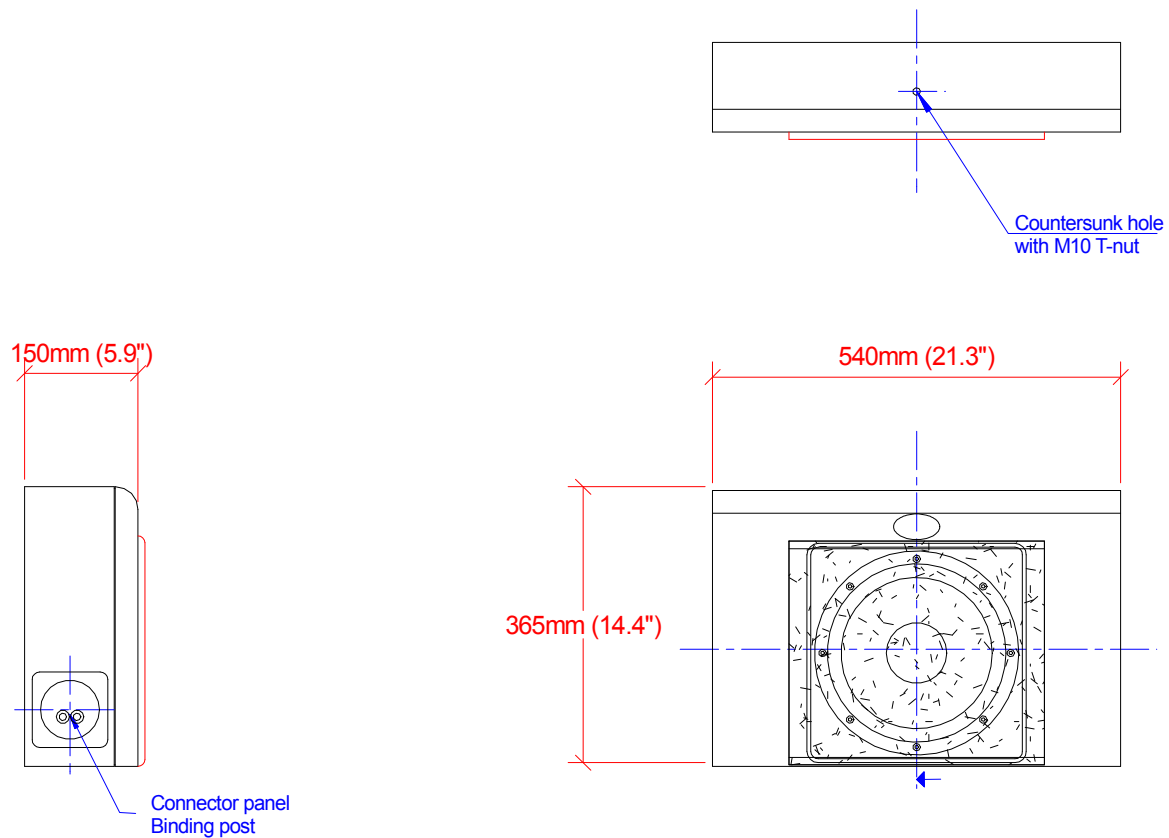


P10Si



Baffle wall cut-out = 560 x 400mm (22" x 15 3/4")
Weight = 15kg / 21Lbs



Procella P10Si
Dimensions
Anders Uggelberg 23/8 -11
UPD:
P10si_ext_dim.CAD
Scale 1:10 (PDF/JPG-file not to scale)