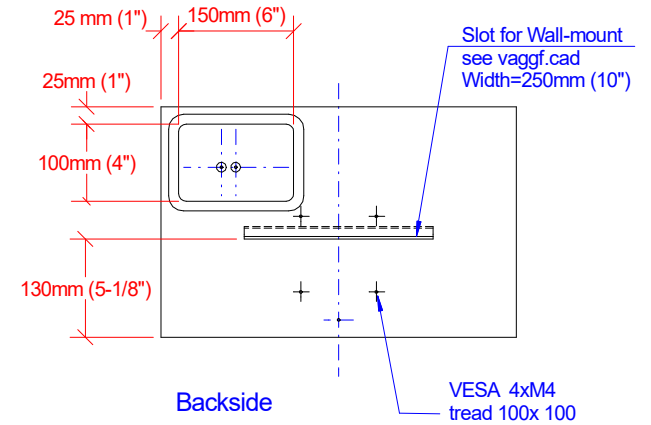
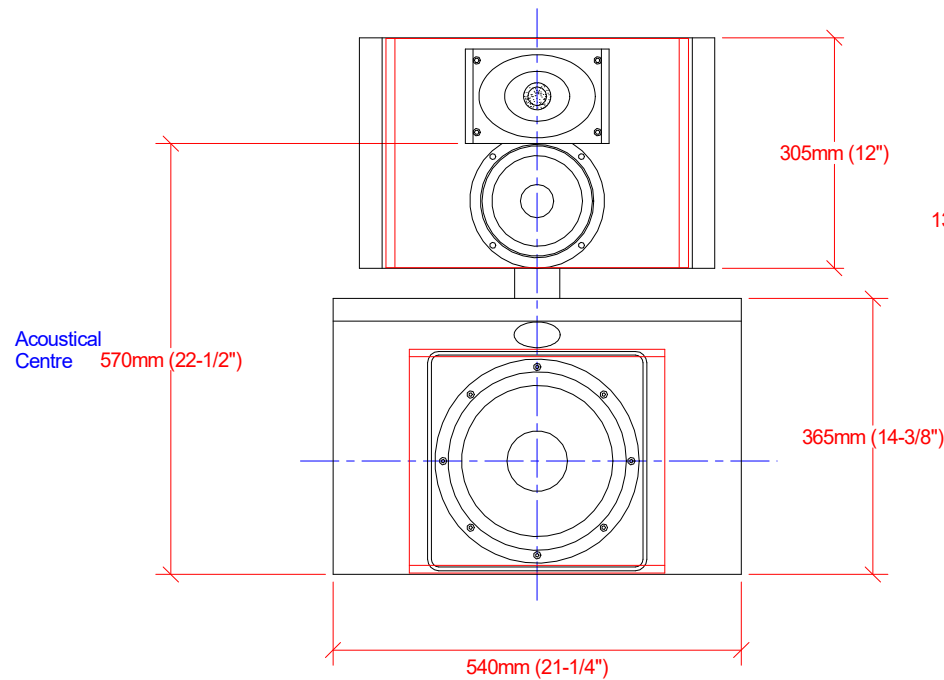
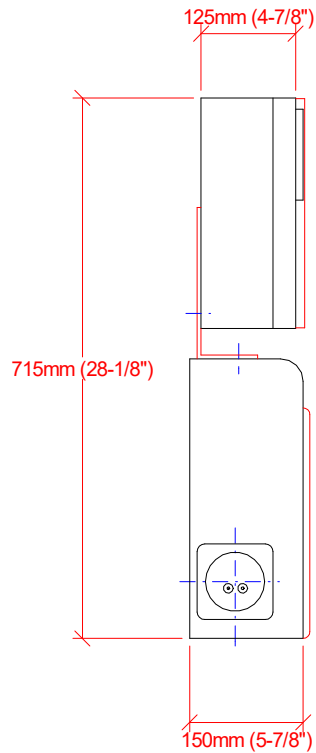
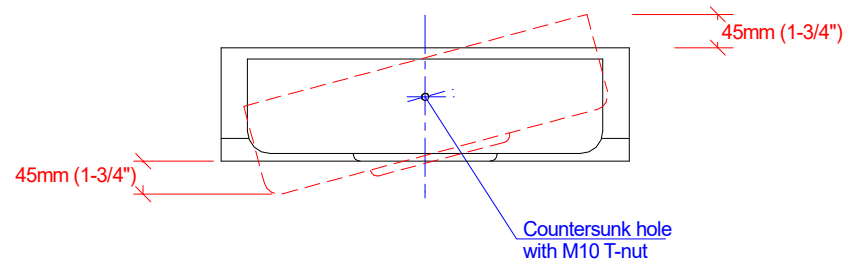


15degrees



Baffle wall cut-out = 750 x 560mm (29.5"x22")  
 Weight = 21kg, (46lb)

