

PROCELLA AUDIO LIMITED WARRANTY

Procella Audio components are warranted to be free from original manufacturing defects as follows:

For all speaker and crossover components, for a period of five years from date of delivery to the original purchaser from an authorized dealer.

For all amplifier components, for a period of two years from date of delivery to the original purchaser from an authorized dealer.

The Procella Audio obligation under this warranty is limited to repairing or replacing any component which it shall find defective in material or workmanship under normal non-commercial conditions of use. This warranty shall not apply to products which have been abused, modified, disassembled or repaired by anyone other than Procella Audio or one of its appointed service centers.

Products to be repaired under this warranty must be returned to the factory or designated service center with all transportation and insurance charges prepaid.

All warranties of whatever character are void and unenforceable if the component or any part thereof is not purchased from an authorized dealer.

This warranty is in lieu of all other warranties, expressed or implied, and of all other obligations or liabilities on our part, and Procella Audio neither assumes nor authorizes any other person to assume for it, any other liability in connection with the sale, repair, or return of any product.

We encourage all Procella owners to register their components. While this is not required to receive warranty benefits, it will allow you to receive warranty coverage without providing proof of purchase, and it will enable us to keep you advised of Procella product information, new products, and updates.

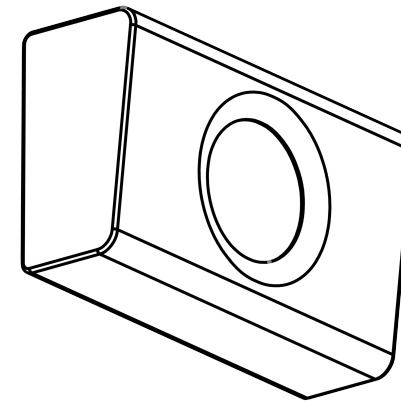
Please contact your local Procella Audio dealer or Procella Audio directly should you have any further questions. We love to hear from our customers, especially with feedback on our loudspeaker products.



PROCELLA AUDIO P1

HIGH PERFORMANCE SURROUND
LOUDSPEAKER

USER GUIDE V1.0



More than a decade ago Procella Audio was born out of a necessity for a really powerful but above all extremely dynamic loudspeaker for the DTS screening room.

Over the years our models improved, our line-up expanded and as of today we have a very complete line-up. From living room to a dedicated Home Theater, Studios and Commercial Cinemas.

Thank You for purchasing our a Procella Loudspeaker System.

- Always insure that the loudspeaker polarity is correct. The red terminal is positive and gives a forward cone motion with applied positive voltage.
- For cable runs up to 10m (30 feet) use minimum 1.5mm² /AWG16 cable. Runs from 10-25m (30-80 feet) require 2.5mm² /AWG14 and runs above 25m (80feet) require 4mm² /AWG12.
- If needed, the four self adhesive rubber feet can be attached to the back of the enclosure to allow for the cable.
- A Procella P1 can be mounted either in a horizontal or in a vertical position. The enclosure should always be aimed towards the center of the listening area.
- Depending on the position of the enclosure, attach the Procella Logo on the front panel either horizontally or vertically.
- For wall-mounting the P1 using one of the key-hole plates on the back of the enclosure:
 - Three are provided, allowing either vertical or horizontal mounting. A screw with a diameter of 4-5mm (3/16") is sufficient for mounting the speaker.
 - Once you have determined the desired location for the speaker, securely mount the screw, preferably into a stud. If a stud is not available, use a wall insert sufficient to support 10 lbs./4.5 Kg .
 - Make sure that there is no risk that the loudspeaker can be pushed off the mounting screw. If in doubt, the enclosure should be secured so that it cannot be pushed upwards, off the screw
- For wall or ceiling mount of the P1 using the standard 127x70mm (5" x 2-3/4") mounting threads on the back of the enclosure:
 - The maximum screw length should be 12mm (1/2")
 - The Speaker Bracket must have a minimum weight limit of 5kg.
 - Make sure that the bracket is properly assembled and that the speaker is securely mounted so that there is no risk that the loudspeaker can fall off the bracket .
- We recommend that the Procella P1 be used with a high-quality power amplifier or A/V receiver with a minimum of 100 Watts per channel into 8 ohms.
- The receiver or processor's bass management should be set to SMALL. The recommended crossover frequency is 80Hz. The crossover should have a 2nd order HP (12dB/octave) characteristic.

Please consult with your dealer or Procella Audio if you have any questions about the proper speaker positions in your room.

All our Procella Tech Sheets are in the download section of our website.

Downloads: <https://procella.audio/downloads>

Email: contact@procella.audio,

Website: <https://procella.audio>